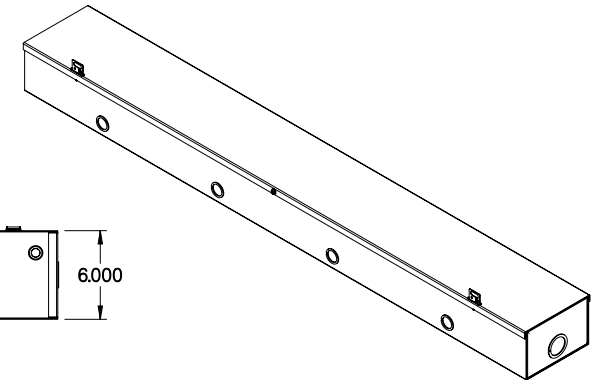


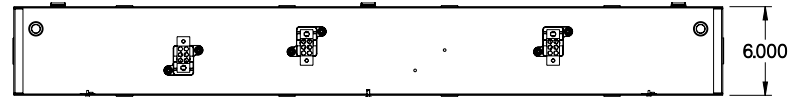
PART No. CST473

Data subject to change without notice

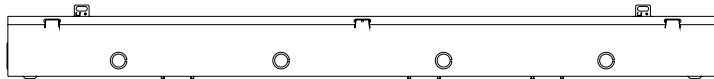
Isometric drawing Not to Scale



ISOMETRIC VIEW



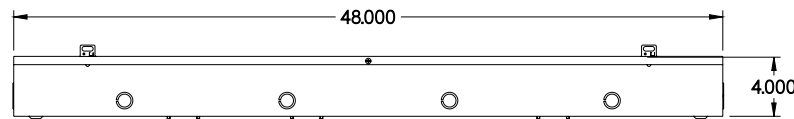
TOP VIEW - COVER REMOVED



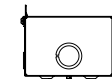
BACK VIEW



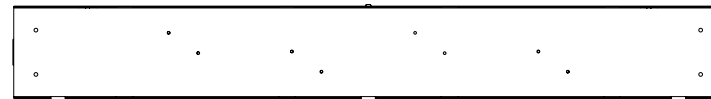
LEFT SIDE VIEW



FRONT VIEW



RIGHT SIDE VIEW



BOTTOM VIEW