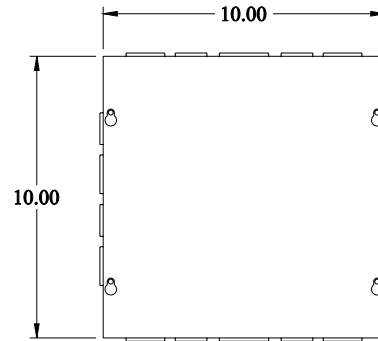


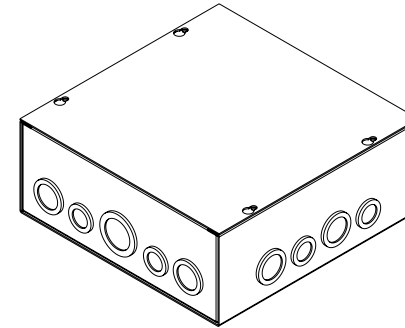
**PART No. CSKO10104**

Data subject to change without notice

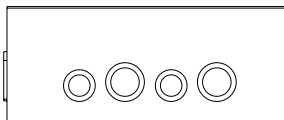
Isometric drawing Not to Scale



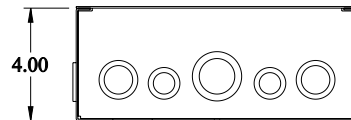
**TOP VIEW**



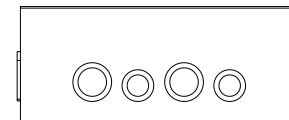
**ISOMETRIC VIEW**



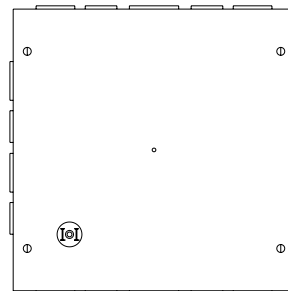
**SIDE VIEW**



**FRONT VIEW**



**SIDE VIEW**



**BOTTOM VIEW**