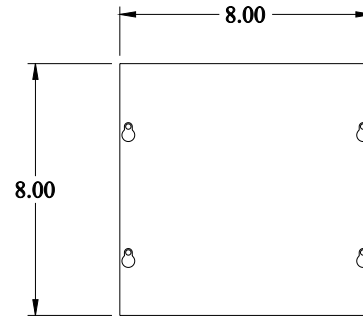


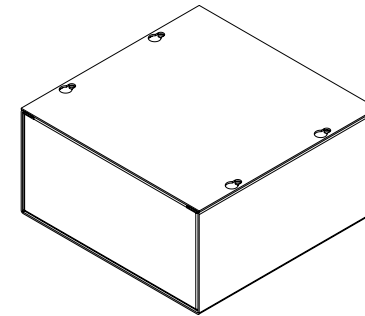
# PART No. CS884

Data subject to change without notice

Isometric drawing Not to Scale



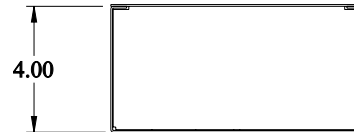
TOP VIEW



ISOMETRIC VIEW



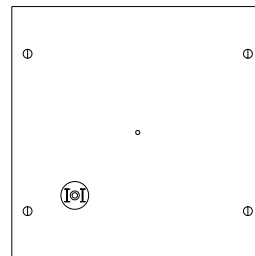
SIDE VIEW



FRONT VIEW



SIDE VIEW



BOTTOM VIEW