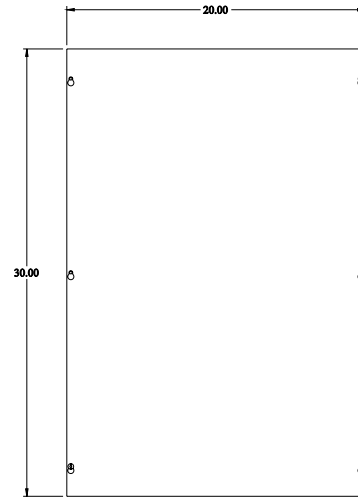




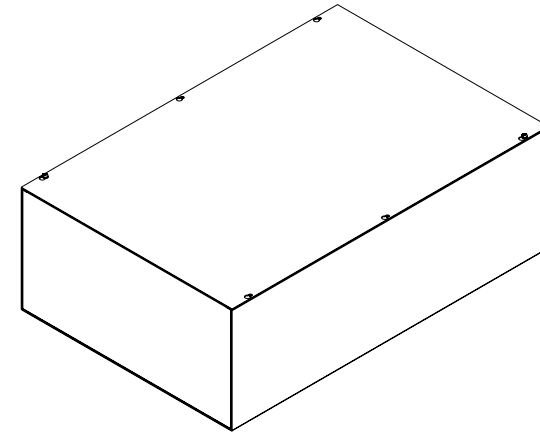
**PART No. CS302010**

Data subject to change without notice

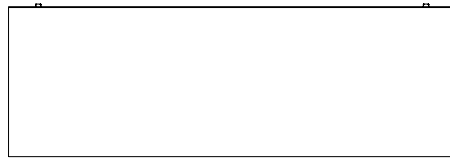
Isometric drawing Not to Scale



**TOP VIEW**



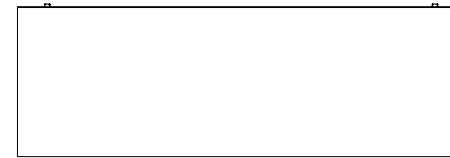
**ISOMETRIC VIEW**



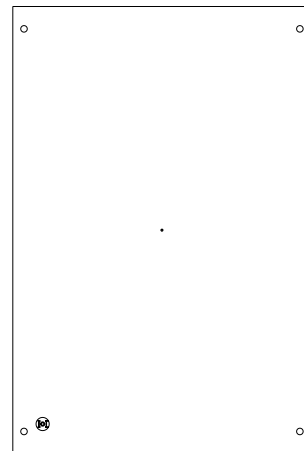
**SIDE VIEW**



**FRONT VIEW**



**SIDE VIEW**



**BOTTOM VIEW**