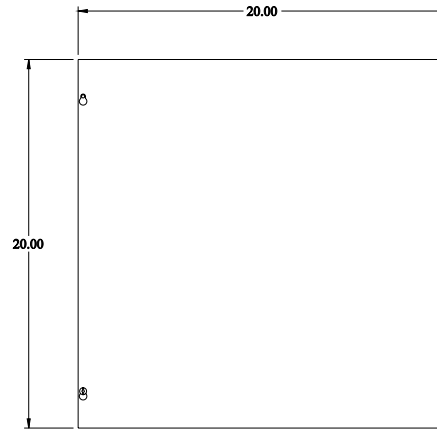




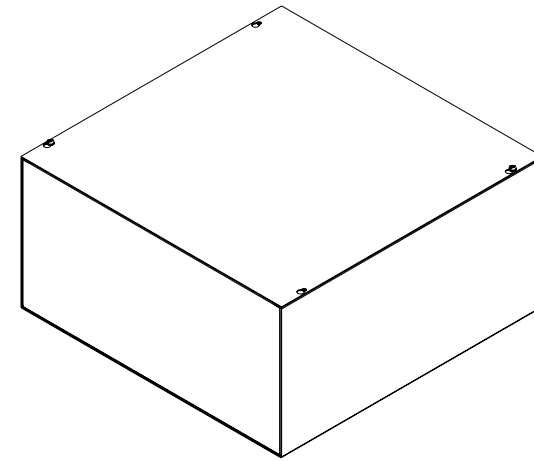
PART No. CS202010

Data subject to change without notice

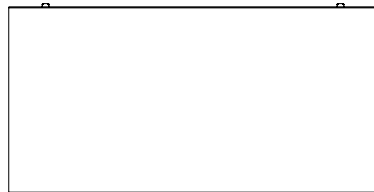
Isometric drawing Not to Scale



TOP VIEW



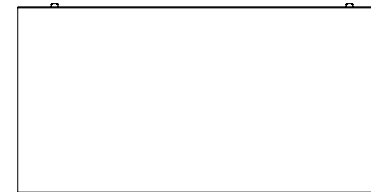
ISOMETRIC VIEW



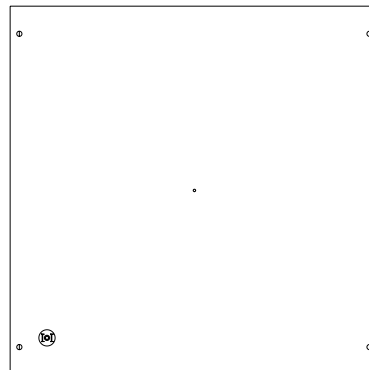
SIDE VIEW



FRONT VIEW



SIDE VIEW



BOTTOM VIEW