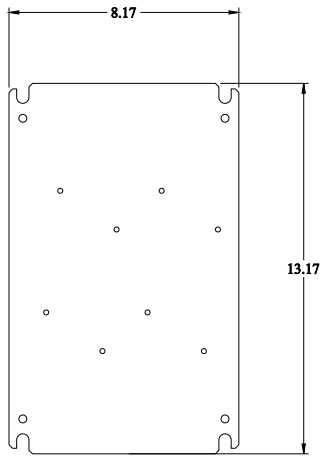


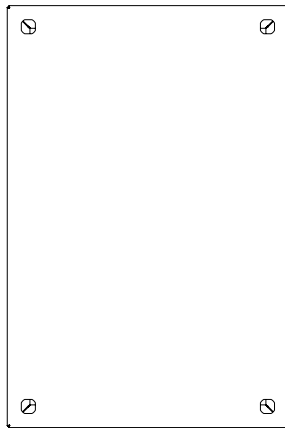
PART No. CN4SB104

Data subject to change without notice

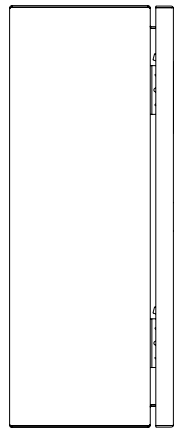
Isometric drawing Not to Scale



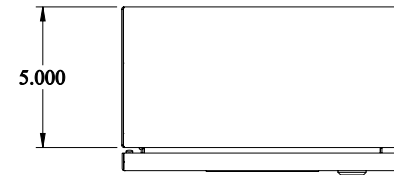
INNER PANEL



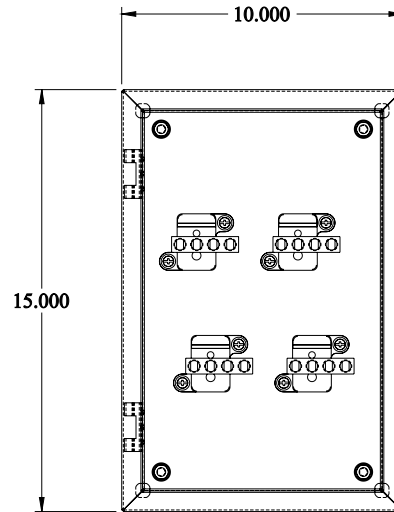
BACK VIEW



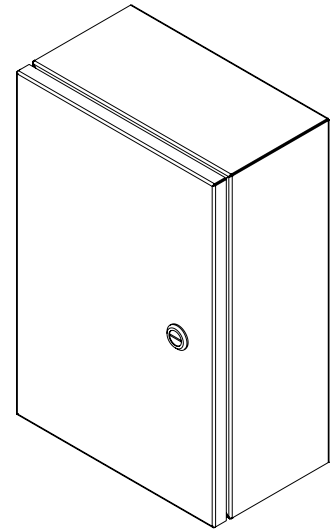
LEFT SIDE VIEW



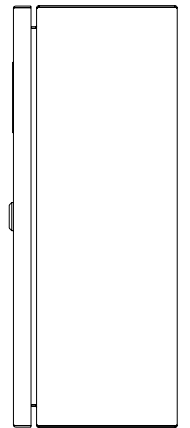
TOP VIEW



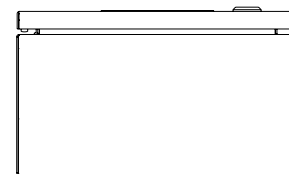
FRONT VIEW - COVER REMOVED



ISOMETRIC VIEW



RIGHT SIDE VIEW



BOTTOM VIEW