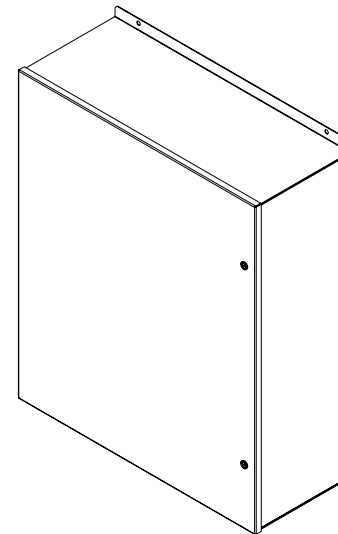


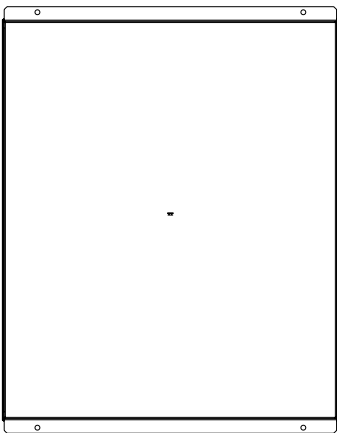
**PART No. 1420P12**  
 Data subject to change without notice  
 Isometric drawing Not to Scale



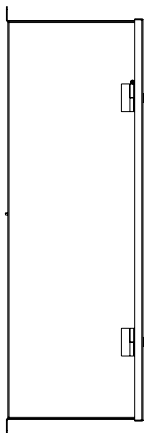
TOP VIEW



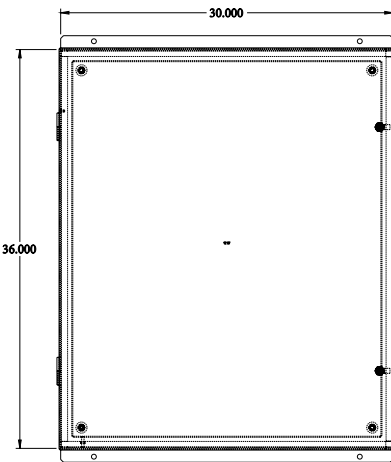
ISOMETRIC VIEW



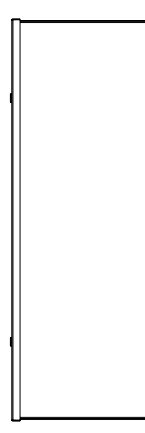
BACK VIEW



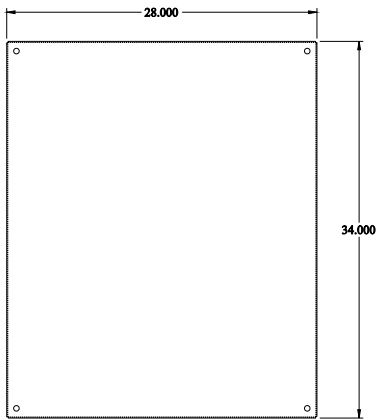
LEFT SIDE VIEW



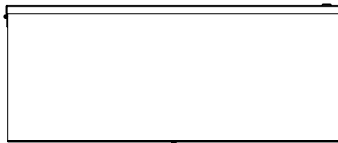
FRONT VIEW



RIGHT SIDE VIEW



INNER PANEL



BOTTOM VIEW