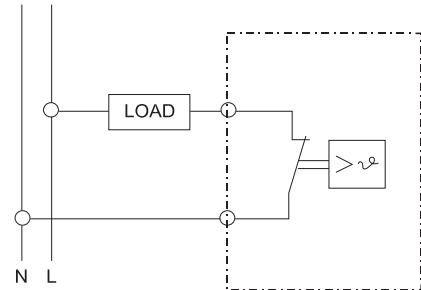


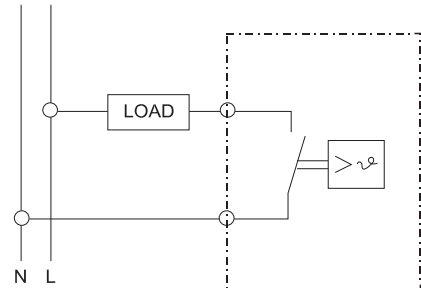
Accessory Products



NC - Normally Closed (Red)

Used in conjunction with heaters.

Contact opens when rising temperatures reach the set point temperature shutting heater off.



NO - Normally Open (Blue)

Used in conjunction with fans.

Contact closes when rising temperatures reach the set point temperature turning fan on.

Thermostat

- Designed to provide air temperature control and monitoring in cabinets.
- Thermostat NC (Normally Closed) for the control of heaters and heater fans.
- Thermostat NO (Normally Open) for the control of cooling units, or for switching signal transmitters in case of overheating.
- Available in Fahrenheit or Celsius.

Sensor Element:	Thermostatic bi-metal
Switching difference (hysteresis):	±4°F (±3°K)
Adjustment Range:	30-140°F / 0-60°C
Connection:	2 pole terminal for AWG 14 (2.5mm ²)
Mounting:	Easily installed by clip mounting on 35 mm or 38 mm DIN rails (included)
Housing:	Flame retardant plastic UL94VO
Color:	Gray (SB)
Protection:	IP20
Approval:	UL Recognized Component , cUL Recognized Component, CE, CSA Listed

Part No.	Scale	Contact Type	Dimensions Height x Width x Depth	Switching Capacity	Ship Wt. lbs
SKT011409NC	°F	Normally Closed	2.83 x 1.57 x 1.4	15 A (1) AC 120 V, 10 A (1) AC 250 V	1
SKT011409NC-C	°C	Normally Closed	2.83 x 1.57 x 1.4	15 A (1) AC 120 V, 10 A (1) AC 250 V	1
SKT011419NO	°F	Normally Open	2.83 x 1.57 x 1.4	15 A (1) AC 120 V, 10 A (1) AC 250 V	1
SKT011419NO-C	°C	Normally Open	2.83 x 1.57 x 1.4	15 A (1) AC 120 V, 10 A (1) AC 250 V	1



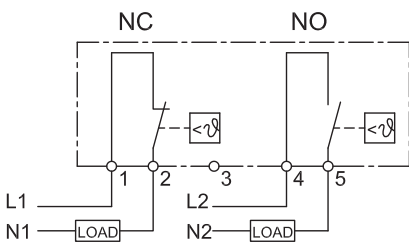
Twin Thermostats

- Designed to provide air temperature control and monitoring in cabinets
- Twin thermostats integrates two independently switchable thermostats, unlike thermostats with changeover contacts, connected devices can be switched in different temperature ranges.
- Available with N.C./N.O., N.C./N.C., N.O./N.O.

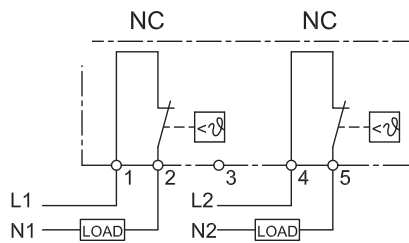
	SKTD541	SKTD542	SKTD543
Scale: (Fahrenheit)	SKTD541	SKTD542	SKTD543
Scale: (Celsius)	SKTD541C	SKTD542C	SKTD543C
Type of contact:	N.C. / N.O. with spring contact	N.C. / N.C. with spring contact	N.O. / N.O. with spring contact
Suitable for the operation of	Fan and Heater	Heaters and Alarms	Fans and Alarms
Switching tolerance:	+ - 4K		
Switching Capacity:	N.C. 240 VAC / 10A	N.O. 120 VAC / 15 A	DC max 30watts
Adjustment Range:	32-140° F / 0-60° C		
Connection:	Screw terminal for AWG 14 / (2.5mm ²)		
Mounting:	Clip mounting on 35 mm DIN rails		
Dimension	Height 3.17" (80.5mm)	Width 2.32" (59mm)	Depth 1.5" (38mm)
Housing:	Flame retardant plastic UL94VO		
Color:	Light Gray RAL7035		
Protection:	IP20		
Approval:	UL Recognized Component, cUL Recognized Component, CE		

Climate Control

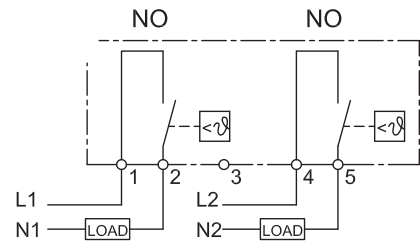
SKTD541



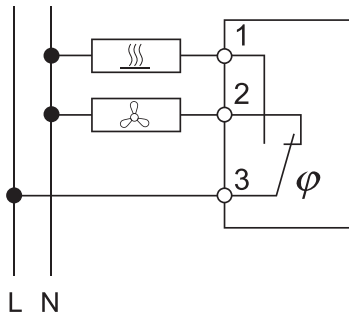
SKTD542



SKTD543



Accessory Products



Mechanical Humidistat

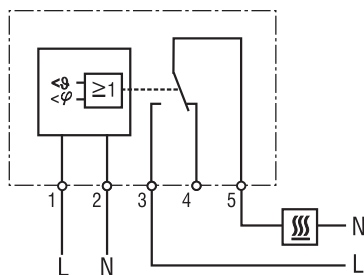


- Mechanical Humidistat regulates the control of heaters or fans whenever the preset level of relative humidity.

Part No.	Dimensions		Switching Capacity	
	Height x Width x Depth			
SKH600NCC	3.5 x 1.5 x 1.8		NOC FAN	AC 120 V - 2A
			NOC FAN	AC 240 V - 2A
			NCC Heater	AC 120 V - 5A
			NCC Heater	AC 240 V - 5A
			DC 30 Watts	

Control Range:	40 to 90% r.H.
Differential Gap:	Approximately 5%
Switch Point Accuracy:	+/- 4% based on 50% r.H.
Working Temperature Range:	30°F to 140°F (0°C to 60°C)
Storage Temperature:	-5°F to 180°F (-20°C to 80°C)
Type of Contact:	Change-over switch
Sensor:	Polyamide band
Type of Connection:	2-pole clamp, For AWG14 (2.5mm ²)
Color:	RAL 7035 - Grey
Protection Category:	IP20
Mounting:	Easily installed by clip mounting on 35mm DIN rail (7 included)
Approval:	CE

Climate Control



Electronic Humidity and Temperature Control

- Designed to provide both air temperature and humidity control as well as monitoring in electrical and electronic enclosures.
- Independently senses the relative humidity and temperature. Resistive and inductive loads (heaters or filter fans) can be switched.
- Highly effective in ATMs, parking control gates, ticket dispensers and traffic control systems where equipment is exposed to wide ranging outdoor elements.

Part No.	Dimensions		Switching Capacity	
	Height x Width x Depth			
SKTH012009230	3.03 x 2.36 x 1.69		NC: AC 240 V - 6A resistive, 1A inductive	
			NO: AC 240 V - 8A resistive, 1.6A inductive	
SKTH012009	3.03 x 2.36 x 1.69		NC: AC 120 V - 6A resistive, 1A inductive	
			NO: AC 120 V - 8A resistive, 1.6A inductive	
			DC 24 V - 4A resistive	

Temperature Range:	32°F to 140°F (0°C to 60°C)
Switching difference (hysteresis):	Approximately 2°K
Humidity range:	50% to 90% relative humidity
Response time humidity:	Approximately 5 seconds
Function Indication:	LED
Life expectancy:	50,000 cycles
Mounting :	Easily installed by clip mounting on 35mm DIN rail
Housing :	Flame retardant plastic UL94VO
Color:	Gray
Protection:	IP20
Approval:	UL Recognized Component, cUL Recognized Component, CE

Technical references and CAD downloads available at www.hammondmfg.com

All dimensions in inches unless specified otherwise

Accessory Products



Breather Kit (Pressure Compensation Plug)



- Packaged individually.
- Provides for controlled pressure compensation due to temperature variations (i.e. night/day operation).
- Recommend two plugs per cabinet in opposite locations.
- Minimum cutout diameter 1.46"

Part No.	Dimensions (Diameter x Depth)	Ship Wt. lbs
SDA412	2.6" x 1.2"	1

Mounting:	PG 29 (1.14") thread with union nut, minimum cutout diameter
Material:	Polycarbonate UL94VO
Protection:	IP45
Color:	RAL 7032 beige



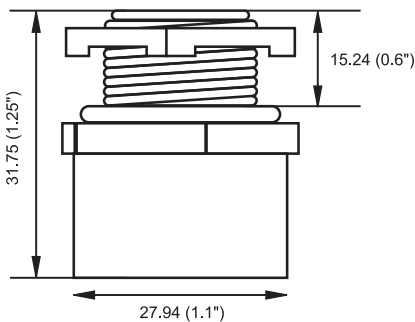
Breather Kit (Pressure Compensation Plug)



- Packaged individually.
- Provides for controlled pressure compensation due to temperature variations (i.e. night/day operation).
- Recommend two plugs per cabinet in opposite locations.
- Pipe Thread M20 1.5 pitch (actual dia. 0.76")

Part No.	BDN4XN1
-----------------	----------------

CSA/A Ex Approvals:	Class I, Zone 1, Ex e II Class I Division 2 Groups ABCD Class II EFG, Class III
Ingress Protection:	IP66, CSA Enclosure Type NEMA 4X
Impact Resistance:	20Nm (7Nm GF Nylon)
Materials:	Durethan BKV 30 N1 30% Glass Filled Nylon O Ring - Nitrile Fixing nut - Brass
Operating Temp:	-50C to +85C



Climate Control

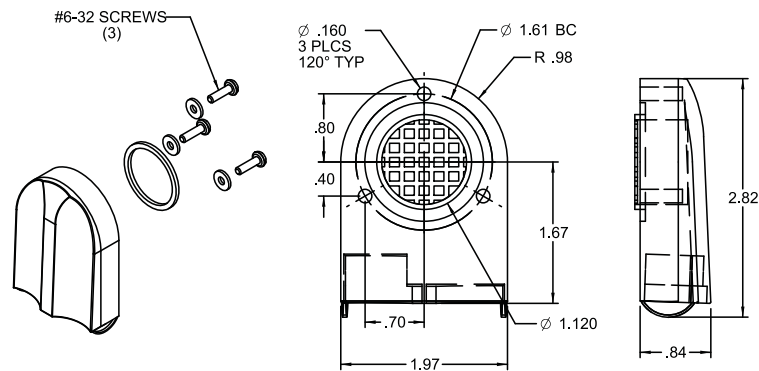
Accessory Products

Large Rainproof Ventilator



- Designed to equalize internal / external pressure and temperature
- Ventilators assist in condensation prevention by allowing enclosures to breathe
- Suitable for most types of metallic and non-metallic enclosures
- Molded in corrosion resistant thermal set plastic, finish RAL7035 Light Gray
- Gasket protection to enclosure wall
- Mount to enclosure wall thickness up to .14" with standard screws
- Internal vent channel & grille reduces insect intrusion
- Package quantity 2

Part No. **SDV280**



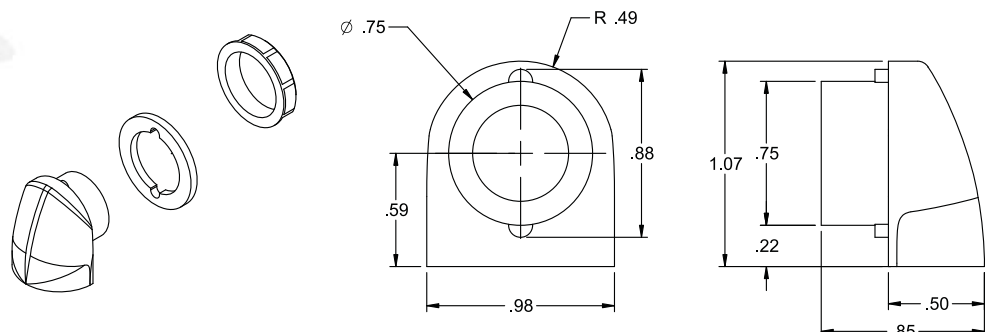
Climate Control

Small Rainproof Ventilator



- Designed to equalize internal / external pressure and temperature
- Ventilators assist in condensation prevention by allowing enclosures to breathe
- Suitable for most types of metallic and non-metallic enclosures
- Molded in corrosion resistant thermal set plastic, finish RAL7035 Light Gray
- Gasket protection to enclosure wall with built in compression stop
- Mount to enclosure wall thickness up to .14" with standard screws
- Internal vent channel & grille reduces insect intrusion
- Package quantity 2

Part No. **SDV180**



Technical references and CAD downloads available at www.hammondmfg.com

All dimensions in inches unless specified otherwise

Accessory Products



Louvered Vent Kits

- Provides ventilation in enclosures for either Indoor or outdoor locations
- Gasketed sealing kit provides protection to nema 3R
- Aluminum filter mesh provides ingress protection for both solid debris and outdoor rain conditions
- Easily field install kit includes all hardware.
- Louver plates are offered in both 14 gauge steel with ANSI61 Gray power coat finish or 304 Stainless Steel
- Sold in QTY 1



Part Number	Overall Size H x W (in)	Number of Louvers	Louver Length (in)
1481L3R55GY	5.56 x 5.3	3	3
1481L3R55SS	5.56 x 5.3	3	3
1481L3R56GY	5.30 x 6.30	3	4
1481L3R56SS	5.30 x 6.30	3	4
1481L3R66GY	6.40 x 6.30	4	4
1481L3R66SS	6.40 x 6.30	4	4
1481L3R68GY	6.40 x 8.30	4	6
1481L3R88GY	6.40 x 8.30	6	6
1481L3R610GY	6.62 x 10.30	4	8
1481L3R810GY	9.0 x 10.30	6	8
1481L3R1110GY	11.37 x 10.30	8	8
1481L3R1510GY	16.12 x 10.30	9	8

Replacement Aluminum Filters

- Sold in Qty 2

Part Number	Size H x W (in)
LFK55	3.15 x 3.00
LFK56	2.90 x 4.00
LFK66	4.02 x 4.00
LFK68	4.02 x 6.00
LFK88	6.28 x 6.00
LFK610	4.21 x 8.00
LFK810	6.59 x 8.00
LFK1110	8.96 x 8.00
LFK1510	13.71 x 8.00

Climate Control



Louvered Ventilating Plate

- Provides ventilation in enclosures where required.
- Easily installed in the field by cutting a square hole of the proper size and bolting the ventilator in place.
- Finished in gray.
- Hole diameter is 0.22".



Part No.	Plate Size		No. of Louvers	No. of Rows	Louvers Length	Opening Area (in ²)
	Height	Width				
1481L44	5.62	5.5	4	1	4	4.5
1481L66	7.87	7.5	14	2	2	5.3
1481L88	10.56	10.5	18	2	4	20.2