

Side Mounting DTS Series - NEMA 3R, 4, 4X 3500 BTU/H - Stainless Steel



Description

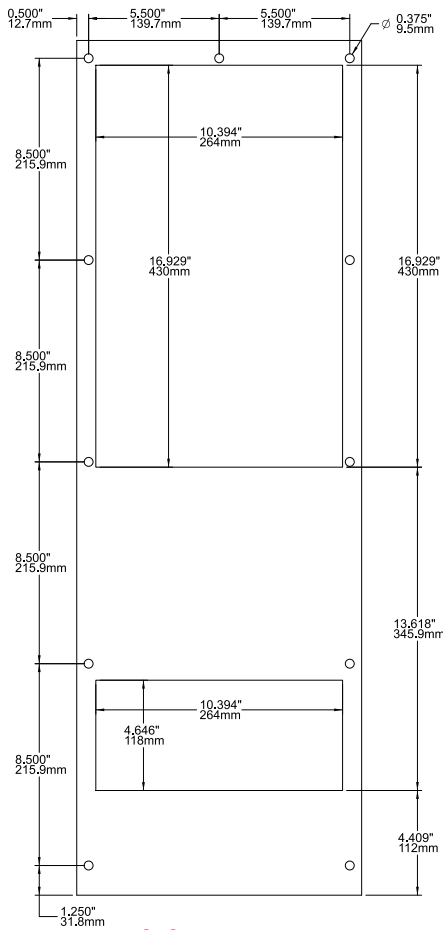
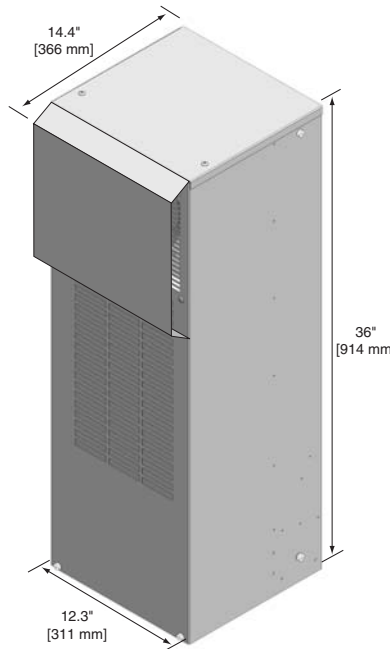
- Narrow design for side mounting on any enclosure surface where hot spot or low capacity cooling is required.
- Closed loop cooling ensures clean enclosure air is recirculated without ever mixing with contaminated ambient air.

Standards

- Complies with
 - NEMA 3R, 4, 4X rating
 - IP 54
 - UL, cUL and CE

Features

- R134a refrigerant.
- Thermostat control accessible from inside enclosure.
- Expansion valve increases efficiency with improved evaporator heat transfer and less frequent compressor operation.
- Built in condensor/evaporator
- Continuous air circulation from high capacity fans.
- EMI/RFI suppression meets CE.
- Self-diagnostics on startup.
- Fault indication via LED light.
- Door contact for power down when enclosure door is opened.
- Gasket, mounting kit and template for cutout and drilling are included.
- Condensate drain hose and clamp
- Easy install with "Click & Fit" system



Drilling Template

Technical Data

Electrical Data	DTS3161SLA2N3LG / DTS3181SLA2N4SS
Rated Voltage	230 V 50/60 Hz
Range of Operation	198-252 V
Power Consumption	890 W
Running Amps	4.0 A
Starting Current	14.8 A
Line Cord	Terminal Block



Accessories

- Gaskets...see page 456
- Remote door switch...see page 452

Part Number	Type Rating	Ship Wt. lbs.
DTS3161SLA2N3LG	3R, 4	113
DTS3181SLA2N4SS	4X	113

Refrigeration Data	
Rated Capacity	3500-5000
Type of Refrigerant	R134a
Adjustable Set Points	+ 59...+ 131 / + 15...+ 45C Factory setting +95 F (+35C)
Max Ambient Air Temp	+131 F (+55 C)
Min Ambient Air Temp	+59 F +15 C
Air Capacity (unrestricted)	Internal Circulation 341 CFM External Circulation 706 CFM
Condensate Discharge	Condensate Evaporator
Filter Mat	Filterless
Db Noise Level	<70 dB (A)
Unit Weight	108 lbs (49 kg)
Exterior Case	Galvanized Sheet Steel /304 Stainless Steel
Finish	RAL7035 light gray finish / #4 Brush Finish SS
Nema Rating	Enclosures IP 54/Nema 3R, 4, 4X

Climate Control